

Augmented Mechanics Ecosystem

SMART APP BASED SOLUTION FOR
PROACTIVE & PREDICTIVE MAINTENANCE



acoem
CREATING ENVIRONMENTS OF POSSIBILITY

A close-up, profile view of a man wearing a yellow hard hat and safety glasses. He is looking down at a tablet computer he is holding with both hands. The background is a blurred industrial environment with warm, orange-toned lighting, possibly from machinery or a furnace. The overall mood is professional and focused.

“

The first all-in-one solution empowering mechanics by combining vibration, alignment and thermography through an easy to use app based ecosystem.”

Acoem augmented mechanics ecosystem

The Acoem Augmented Mechanics Ecosystem is the first flexible and scalable machine maintenance solution designed to combine alignment, vibration, and thermography on the same mobile platform.

The Augmented Mechanics Ecosystem is an easy to use digital toolbox that empowers users to perform guided precision alignments, on-the-spot machinery diagnostics, thermographical controls, and additional services via cloud connectivity.

More than just a maintenance tool, it is a unique solution **providing actionable data on the machinery health and tasks to be carried out**, making the road to action and correction shorter than ever.



- Easy to use & task oriented mobile apps
- Wireless sensors
- Optional acoem cloud storage and sharing capabilities with secure connection



Take back control of your machinery

Until now, you have relied on multiple diagnostic tools and sensors in order to gain full insight into the reliability of your rotating equipment. This process makes it difficult to anticipate machine health issues and address them quickly.

Acoem understands your need to take control of your machinery and to be able to share information with relevant team members. This app-based ecosystem is a customisable solution that simplifies the process and provides you with all the relevant information you need to proactively identify maintenance requirements and **make smarter, more confident collective decisions**.

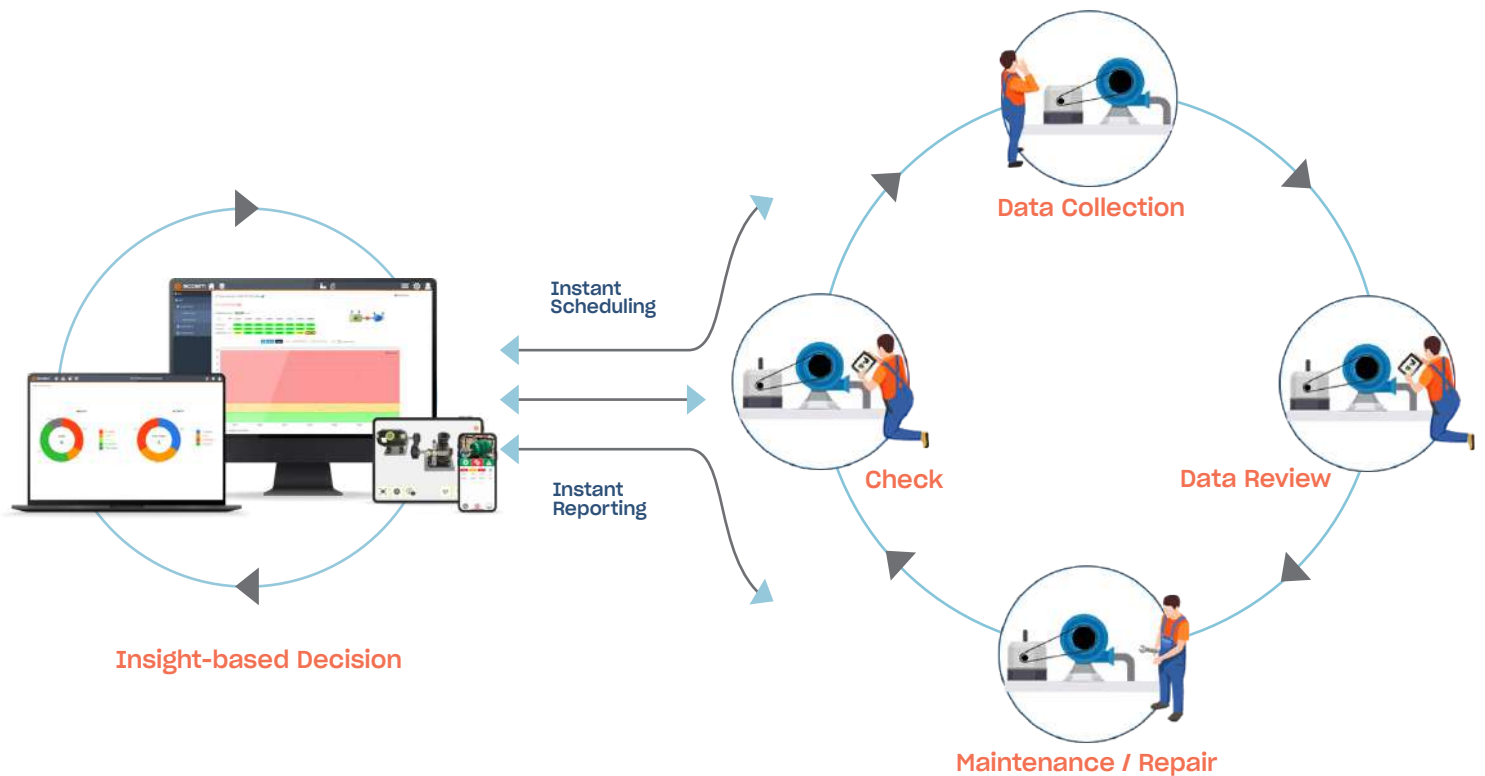


One dashboard, all your machinery data

Simplify your decision making process



- Manage all of your machines in **one place**
- Shorten the time between **decision and action** that can improve your plant performance
- Easily get **remote support** from remote Acoem Advisors whenever you need it.
- 24/7 access to **actionable data**.



A new environment of possibilities with app based ecosystem

- Accessible via any enabled device (tablet, smart phone or device)
- Upgradable, customisable & scalable based on your needs
- Total control over your machinery's proactive maintenance & monitoring
- Links vibration & alignment data to optimize maintenance process
- Instant access to real-time-data
- Share information instantaneously among your teams
- Make timely and informed maintenance decisions
- Integrated camera allows immediate image transmission
- Maintenance reporting made easy
- Always connected
- Intuitive & user-friendly interface

A complete reliability solution

30 mm digital sensor detector + line laser eliminates rough alignment and speeds up set up time.

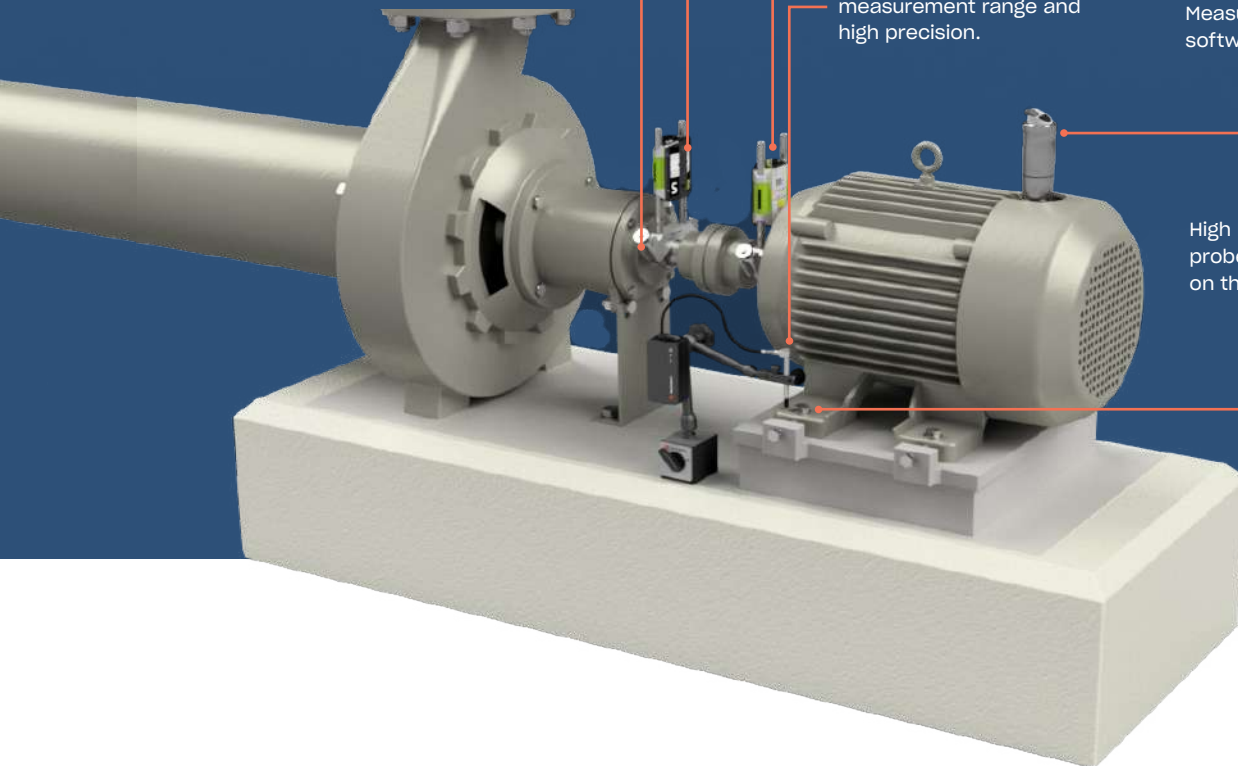
Premounted fixtures and small sensors provides quick setup also on machins with limited space.

IP65-certified sensor designed to withstand harsh environments.

LVDT sensor with $\pm 2,5$ mm measurement range and high precision.

Patented Wireless Triaxial Measurement with Accurex™ software.

High Precision & Wireless probe. Measures directly on the machine foot.

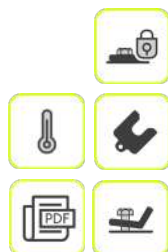


Empowered by Acoem technology

GuideU™

Intuitive Interface

GuideU™ is the next generation alignment 3D graphical user interface – our patented, customizable, icon-driven and color-coded display system makes measuring, aligning, documenting and reporting on each job simple.



Accurex™

Automatic Machine Diagnosis

Embedding Acoem 50 years of expertise in vibration analysis, Accurex™ patented AI solution provides instant results for the detection of the most common defects such as unbalance, misalignment, resonance, bearing defects, gear defects, and more.

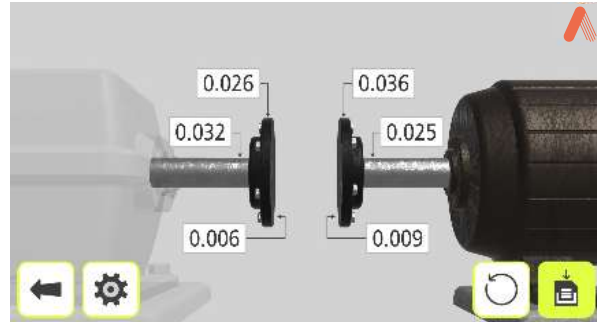


Build your own augmented mechanics solution



Pre-Alignment app

The app is designed to remove the complexity from the laser alignment process. Easy checks can be carried out in few minutes with the wireless probe, such devliring confidence to the user in charge of the alignment, for a faster and more reliable process.



Horizontal and vertical laser alignment app

The GuideU™ icon-based and color-coded user interface makes it effortless to measure, align and document each job. The apps deliver measurement and correction values based on accurate sensor data, ensuring quick and reliable alignment process for any user.



Bearing Defender vibration checker app

Bearing Defender performs basic checks around your machinery's vibration wireless sensors, providing warning levels and greater insight to operations in just 10 seconds. It is also a perfect lubrication assistant.



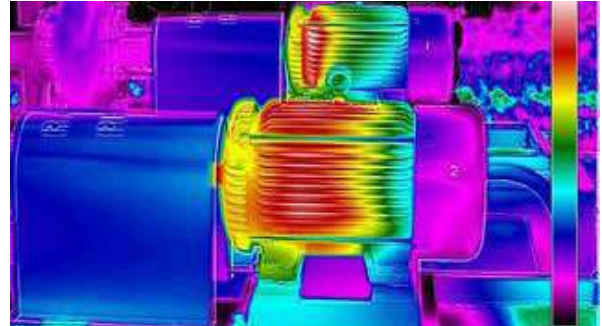
Machine Defender vibration diagnostic app

This app offers automatic diagnostic capabilities powered by Acoem's Accurex™ Artificial Intelligence, offering unrivalled performances on the diagnostic of common faults including bearing defects.



FLIR One Thermography app

On top of the classic benefits of thermographic applications, the addition of this camera into the Acoem Ecosystem enhances the reliability of complex alignment situations and helps you better understand your machines capabilities and potential fluctuations due to operational processes.



A scalable and evolutive ecosystem



Future-proof your investment

The Augmented Mechanics Ecosystem is a huge leap forward in machinery reliability through enhanced connectivity, integrated technology, the ability to easily share data and the automatic report generation function that is as simple as sending an email directly from your tablet.

It is also the only system on the market that grows with your requirements. Always upgradable, it is an

assurance that your investment will be protected and as technology evolves, your system will remain compatible, easy to use and up to date.

So much more than an alignment and monitoring tool – the Augmented Mechanics Ecosystem represents the next generation of holistic maintenance solutions.

Specifications subject to change without notice. All images used are for illustrative purposes only. All trademarks and registered trademarks are the property of their respective owners. ©2021 Acoem and all related entities. All rights reserved. 20210014

About Acoem

Creating environments of possibility

At Acoem, we create environments of possibility - helping organizations find the right balance between progress and preservation - safeguarding businesses and assets, and maximizing opportunities while conserving the planet's resources. We deliver unrivalled, interoperable AI-powered sensors and ecosystems that empower our customers to make enlightened decisions based on accurate information.

Together with 150 distributors, our 800+ employees work across 27 offices, 5 manufacturing facilities and 3 R&D centres in 11 countries to provide trusted, holistic data solutions for customers worldwide.

Acoem links possibilities with protection.

For more information, please visit acoem.com

